



319-600 AND 319-600-1 G-BODY BODY MOUNT INSTALLATION INSTRUCTIONS

POSITION #1



POSITION #2,4,6,7

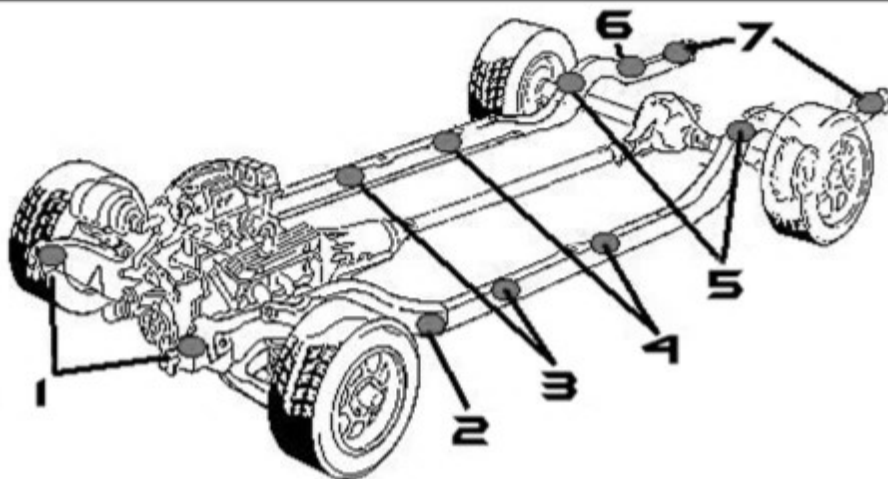


POSITION #3

319-600



319-600-1



POSITION #5 IS NOT INCLUDED IN THE KIT AND NOT NECESSARY FOR INSTALLATION. SEVERAL CARS COME WITHOUT THIS MOUNT FROM THE FACTORY.

INSTALL THE BODY MOUNTS ONE SIDE AT A TIME WHILE THE OTHER SIDE IS LOOSENED.

LIFT THE BODY TO PROVIDE ENOUGH ROOM TO REPLACE EACH MOUNT.

RETURN ALL BODY MOUNT SHIMS BACK TO THEIR FACTORY LOCATION TO ENSURE PROPER BODY ALIGNMENT.

ONCE MOUNTS ARE INSTALLED RETORQUE ALL BOLTS TO FACTORY SPECIFICATIONS.